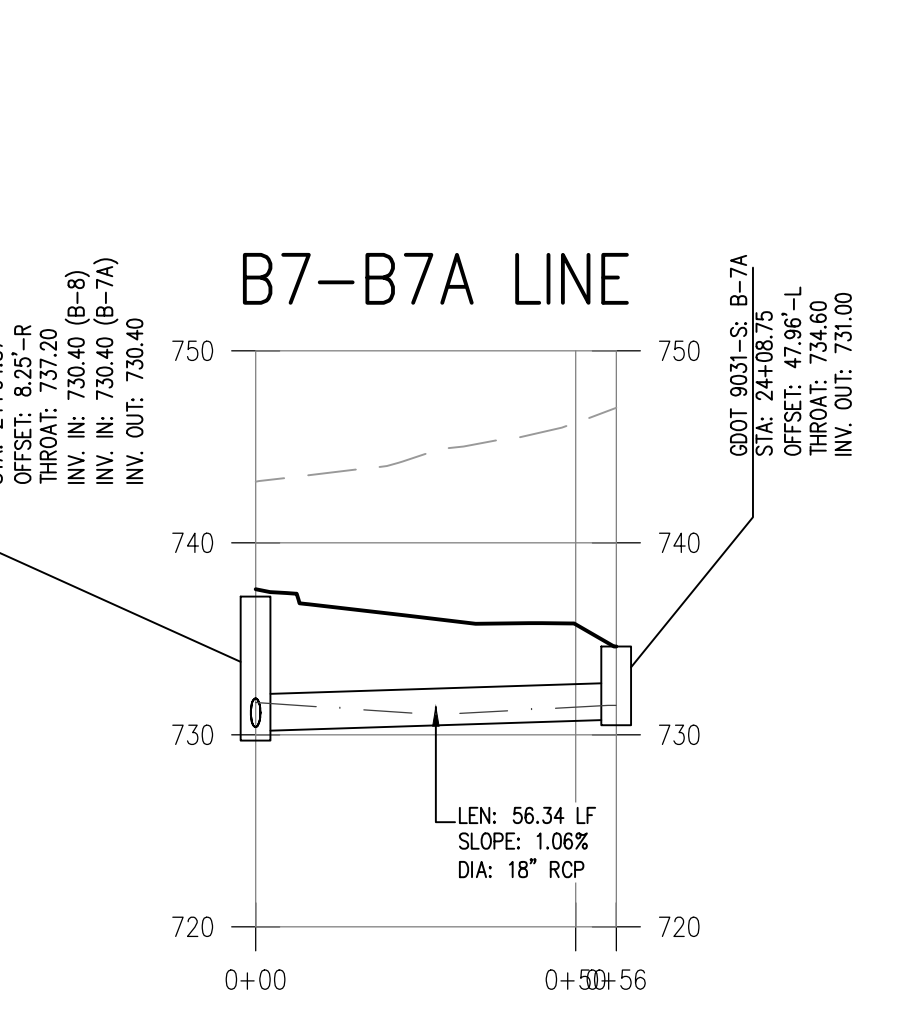
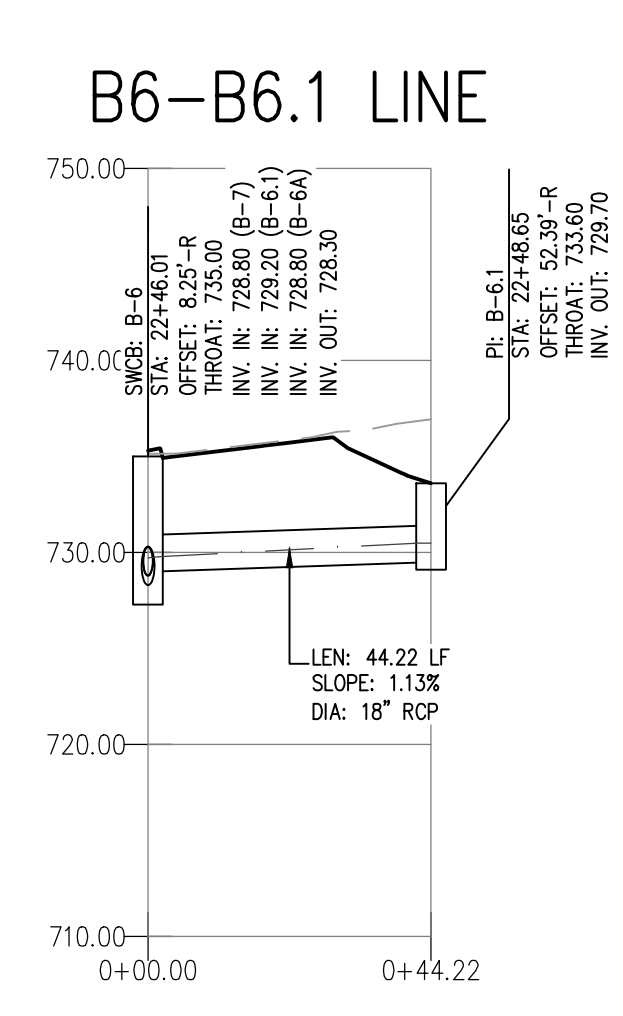
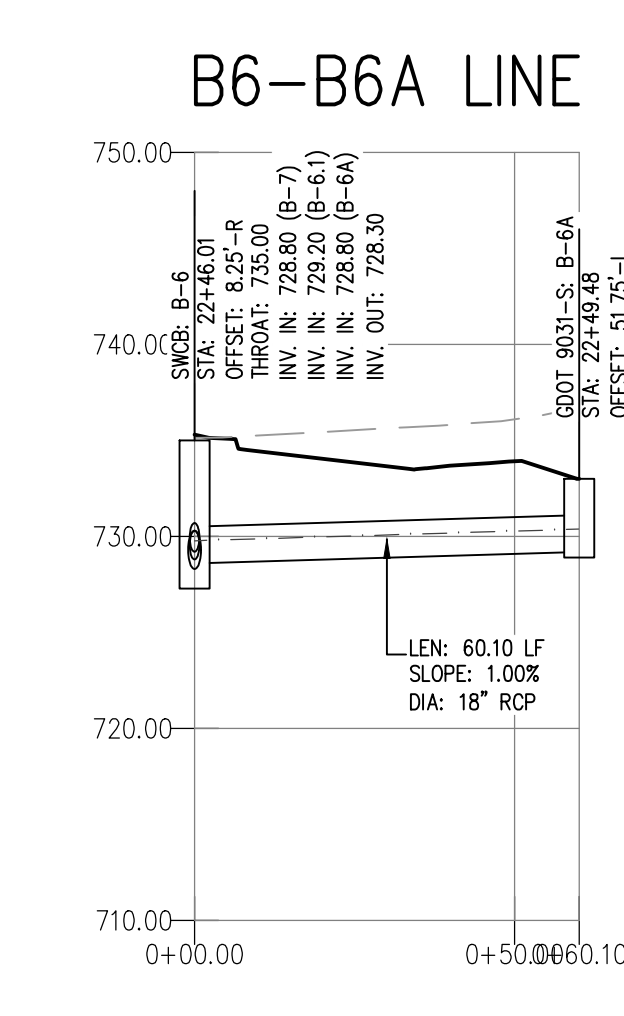
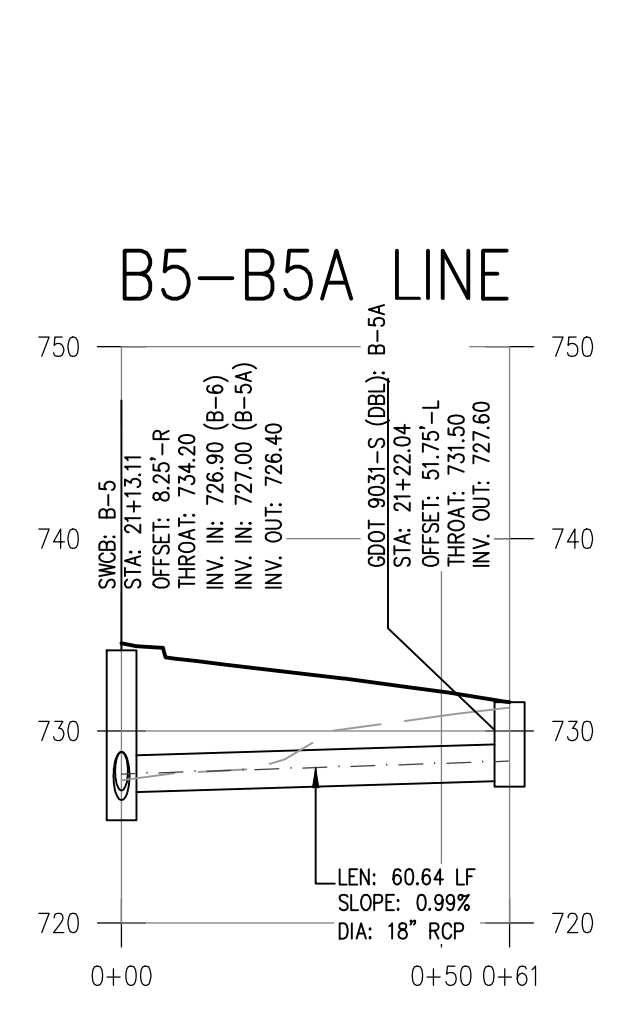
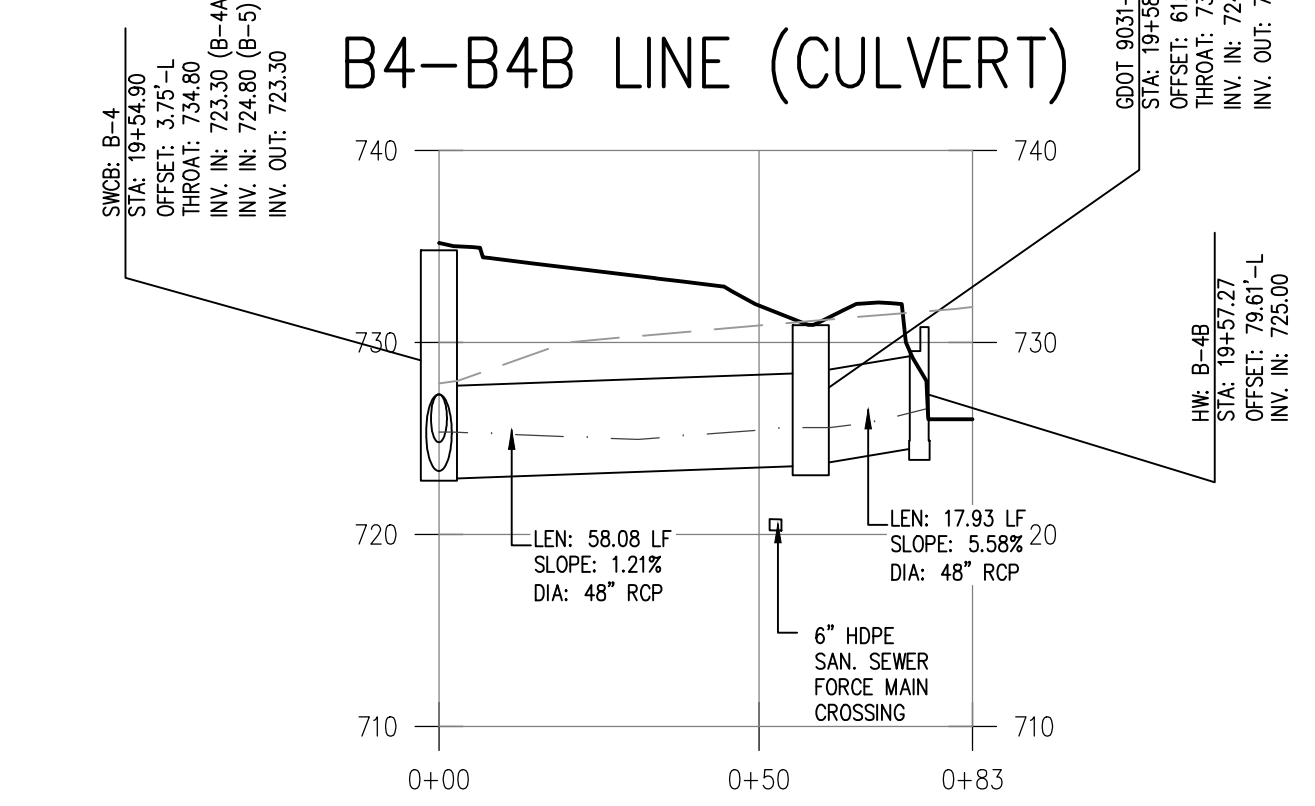
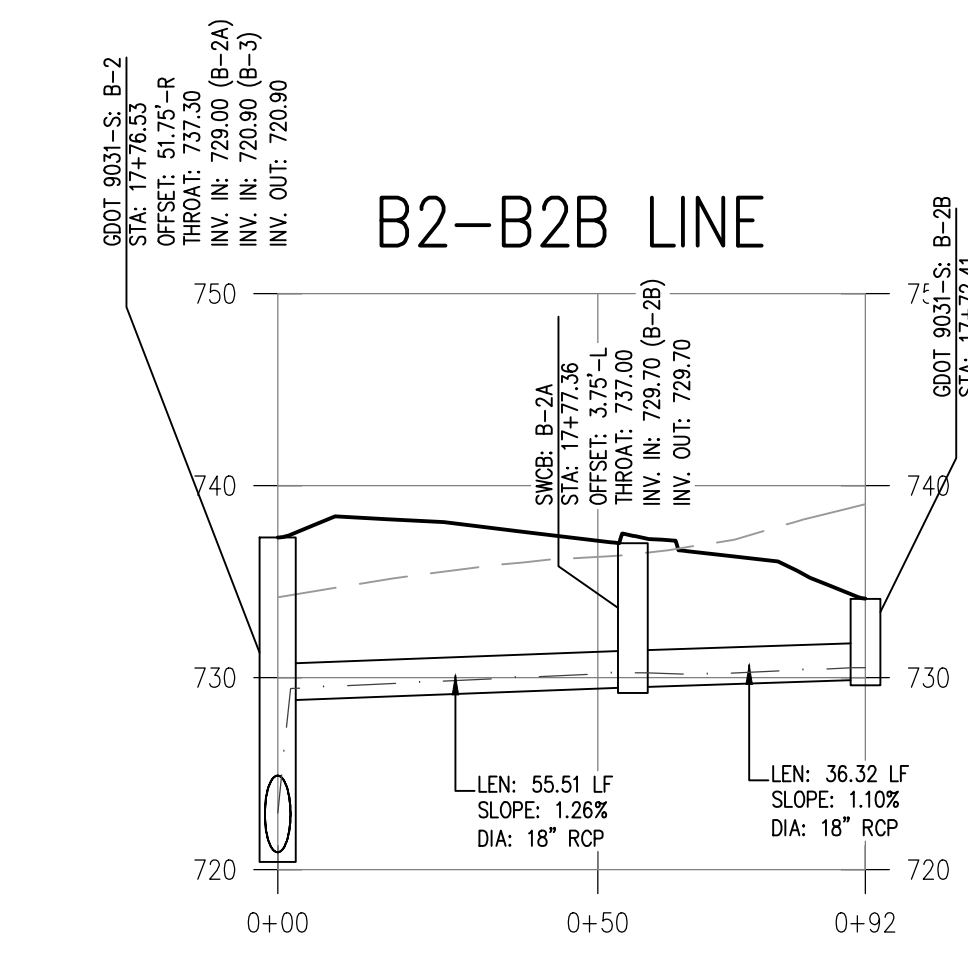
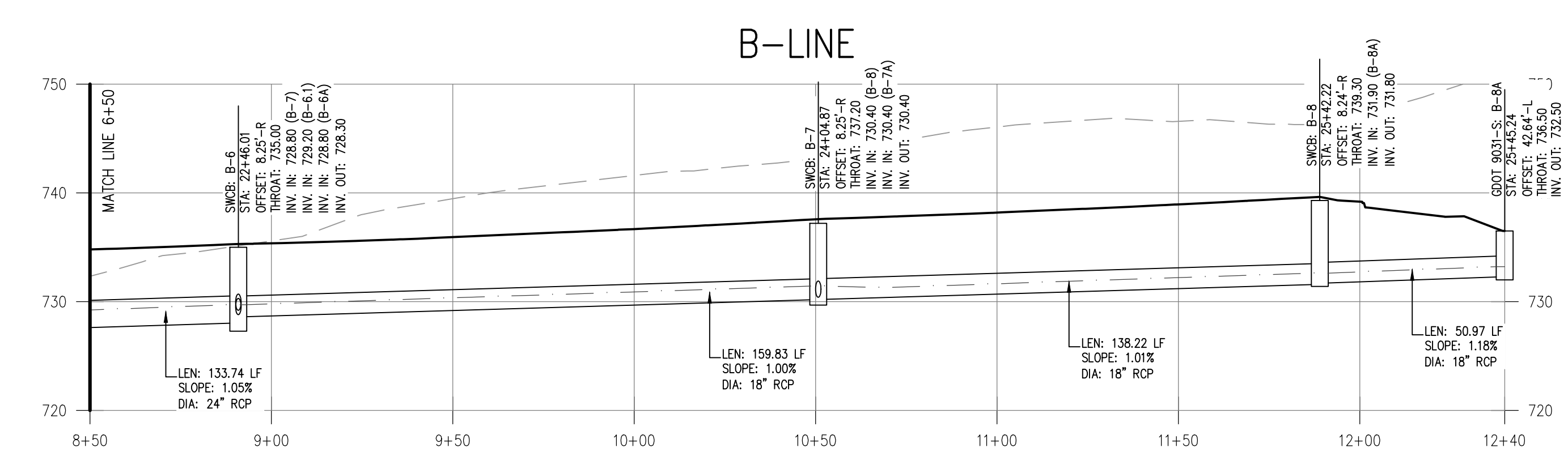
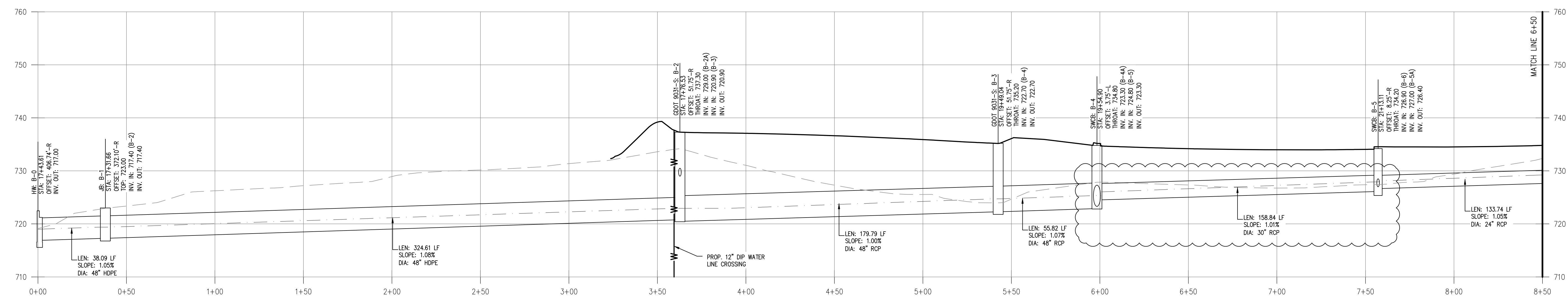


B-LINE



STORM SEWER LEGEND

DWCB	DOUBLE WING CATCH BASIN
HW	HEADWALL
JB	JUNCTION BOX
RCP	REINFORCED CONCRETE PIPE
SWCB	SINGLE WING CATCH BASIN

LINETYPE LEGEND

---	EXISTING GRADE
---	PROPOSED GRADE
---	50-YR HYDRAULIC GRADE LINE

GEORGIA 811
 Utilities Protection Center, Inc.
 Know what's below.
 Call before you dig.
 Dial 811 or Call 1-800-282-7411

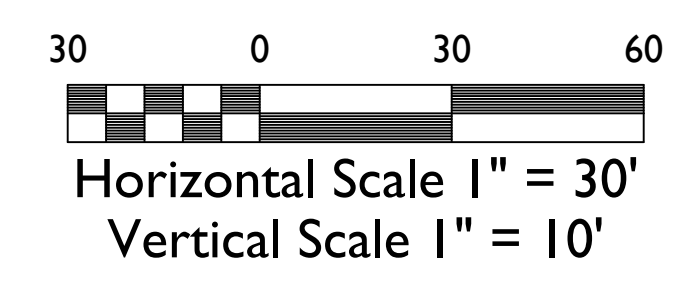
CAUTION
 THE UTILITIES SHOWN ARE SHOWN FOR THE CONTRACTOR'S CONVENIENCE ONLY. THERE MAY BE OTHER UTILITIES NOT SHOWN ON THESE PLANS. THE PREPARER ASSUMES NO RESPONSIBILITY FOR THE LOCATIONS SHOWN AND IT SHALL BE THE CONTRACTOR'S RESPONSIBILITY TO VERIFY THE LOCATIONS OF ALL UTILITIES WITHIN THE LIMITS OF THE WORK. ALL DAMAGE MADE TO EXISTING UTILITIES BY THE CONTRACTOR SHALL BE THE SOLE RESPONSIBILITY OF THE CONTRACTOR.

PEGASUS PARKWAY EXTENSION

AEC, INC.
 50 WARM SPRINGS CIRCLE
 ROSWELL, GA 30075
 770-641-1942



COPYRIGHT © 2015 BY AEC, INC. ALL RIGHTS RESERVED. NO COPYING OR DUPLICATION OF THESE DOCUMENTS IS ALLOWED WITHOUT THE EXPRESS WRITTEN AGREEMENT OF AEC, INC.



DATE	REVISIONS
4/9/15	PRELIMINARY PRICING SET
7/2/15	INITIAL SUBMITTAL TO CITY
9/17/15	INITIAL SUBMITTAL TO EPD/GDOT
11/23/15	GDOT RESUBMITTAL
1/22/16	CITY / GDOT RESUBMITTAL
2/9/16	GDOT RESUBMITTAL
2/29/16	CITY UTILITY COMMENTS

DATE	REVISIONS
3/21/16	ADDED B5-B4 TO PROFILE

TROUP COUNTY, GA
 PEGASUS PARKWAY EXTENSION
 DRAINAGE PROFILES - STORM

M:\2014\14-3667 Pegasus Parkway-Grange-Gal\14-3667 Pegasus Parkway-C00.dwg, 3/21/2016 4:07:43 PM, est. 1:1