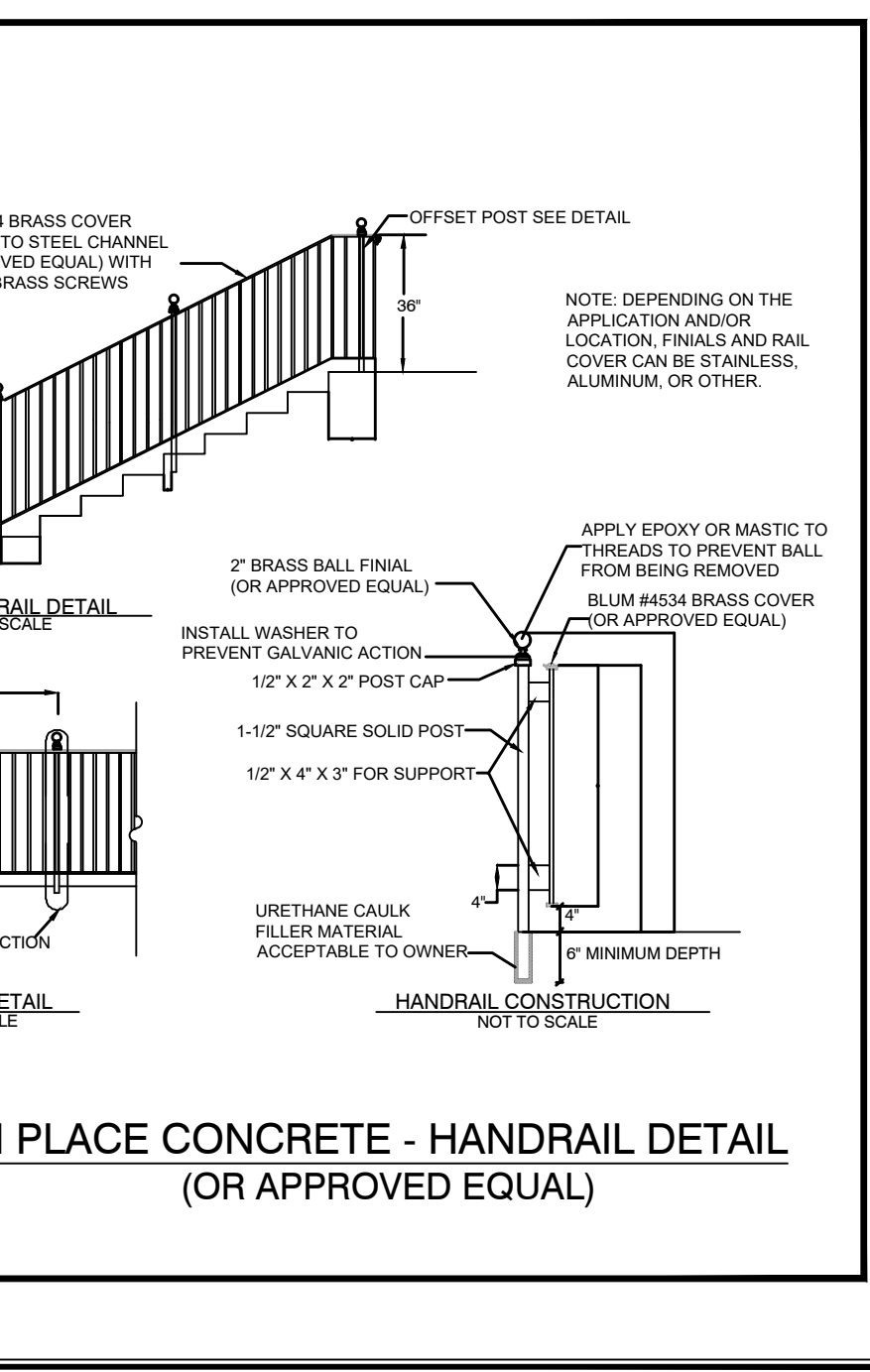
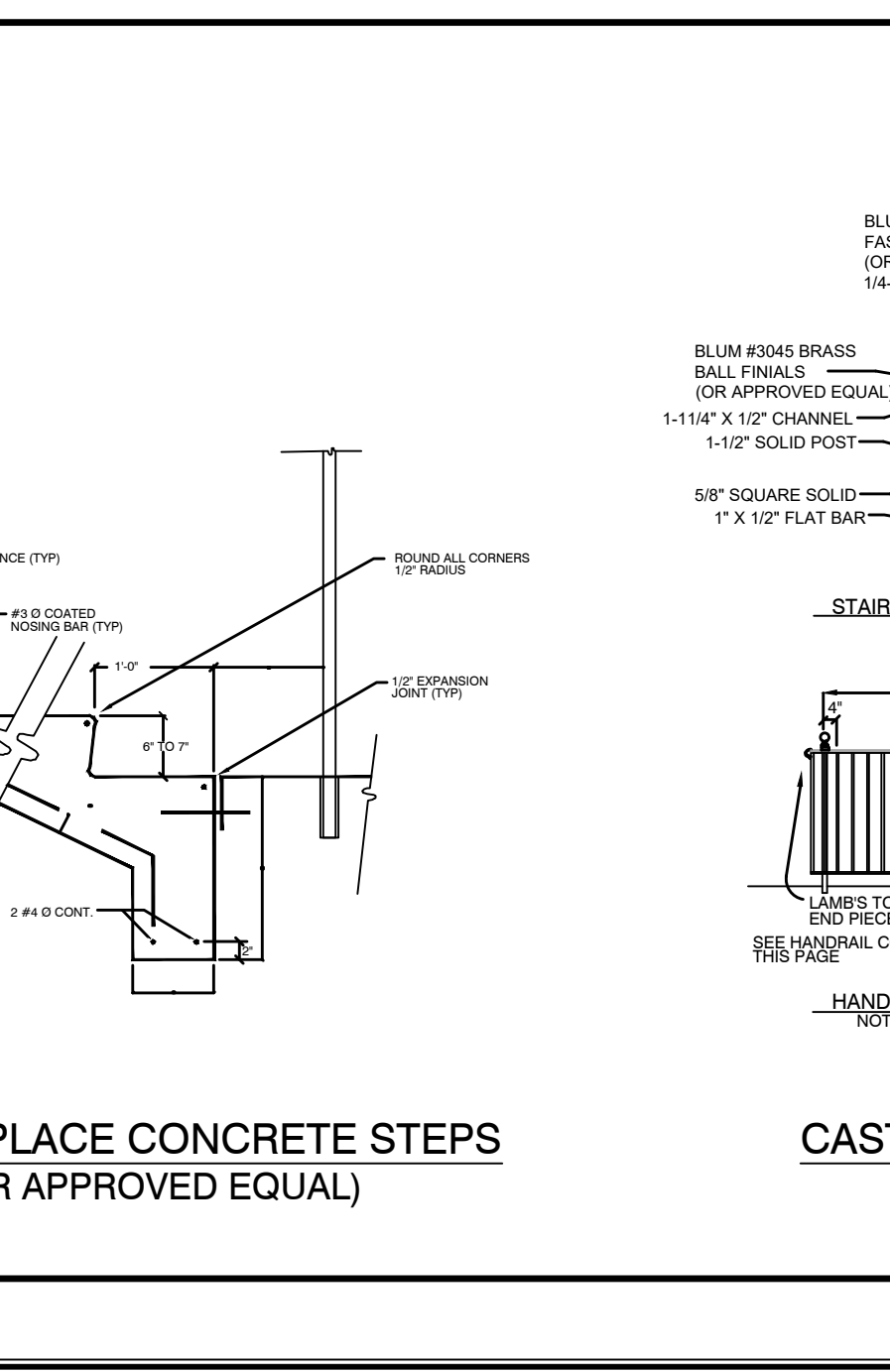
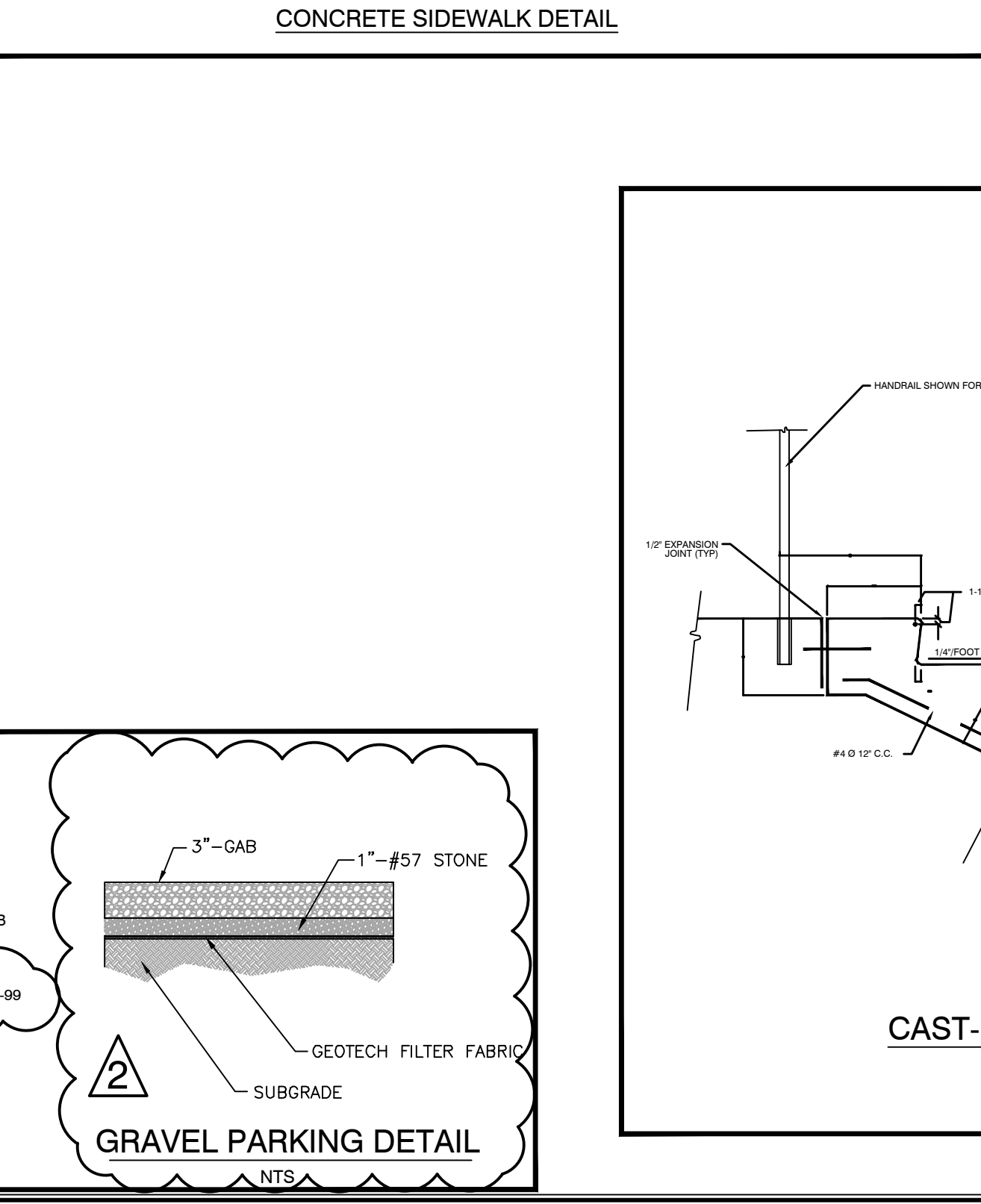
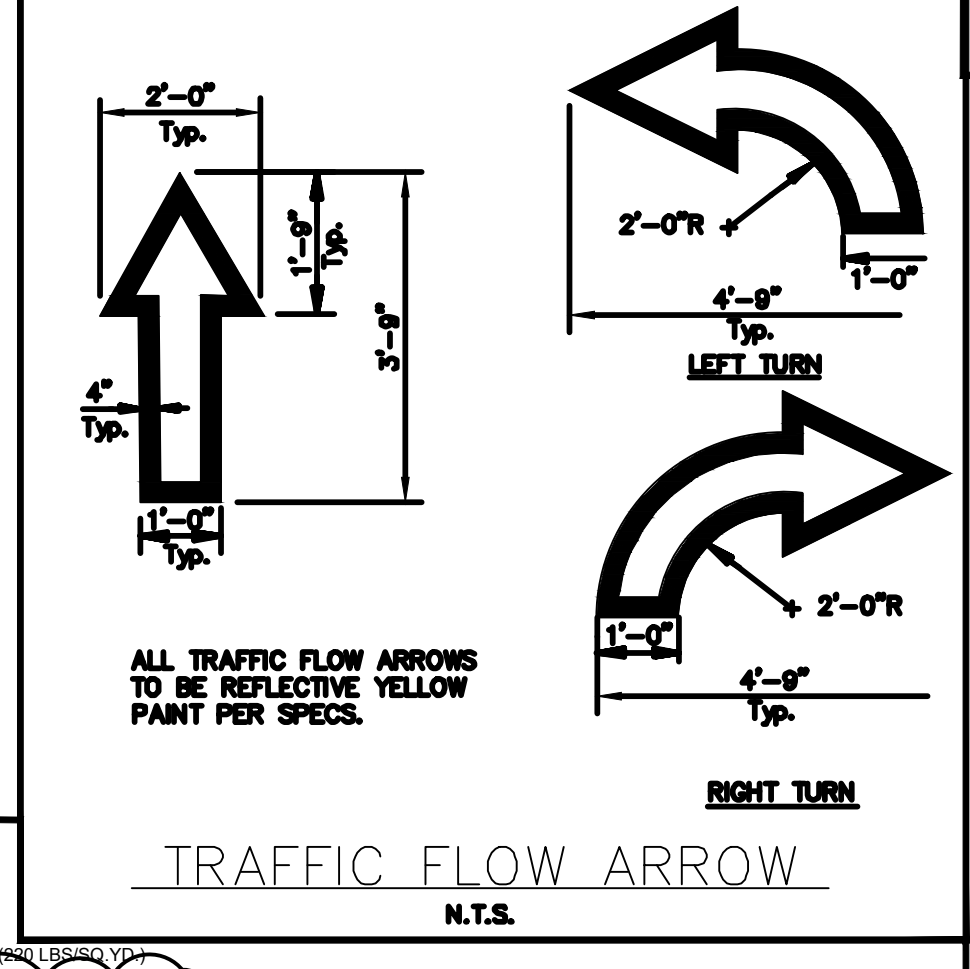
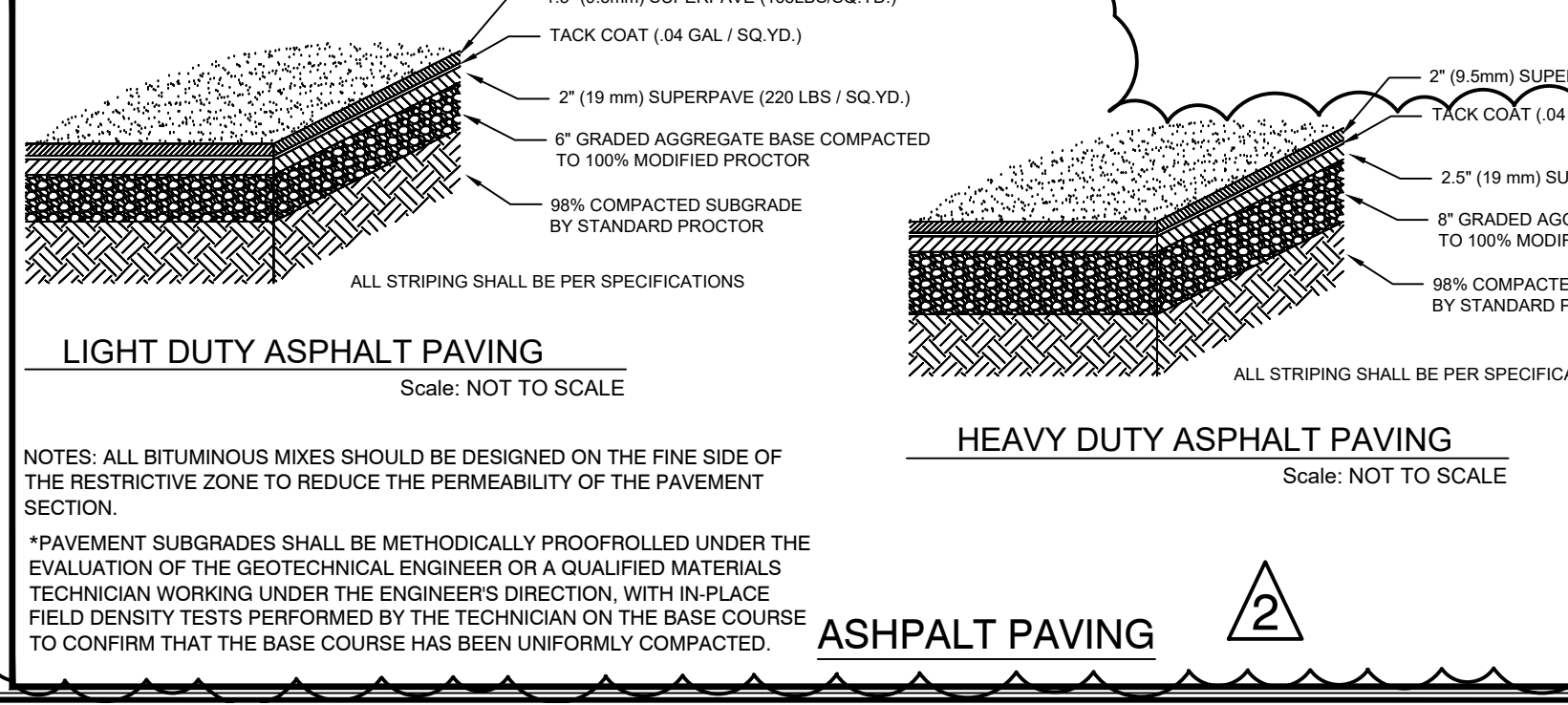
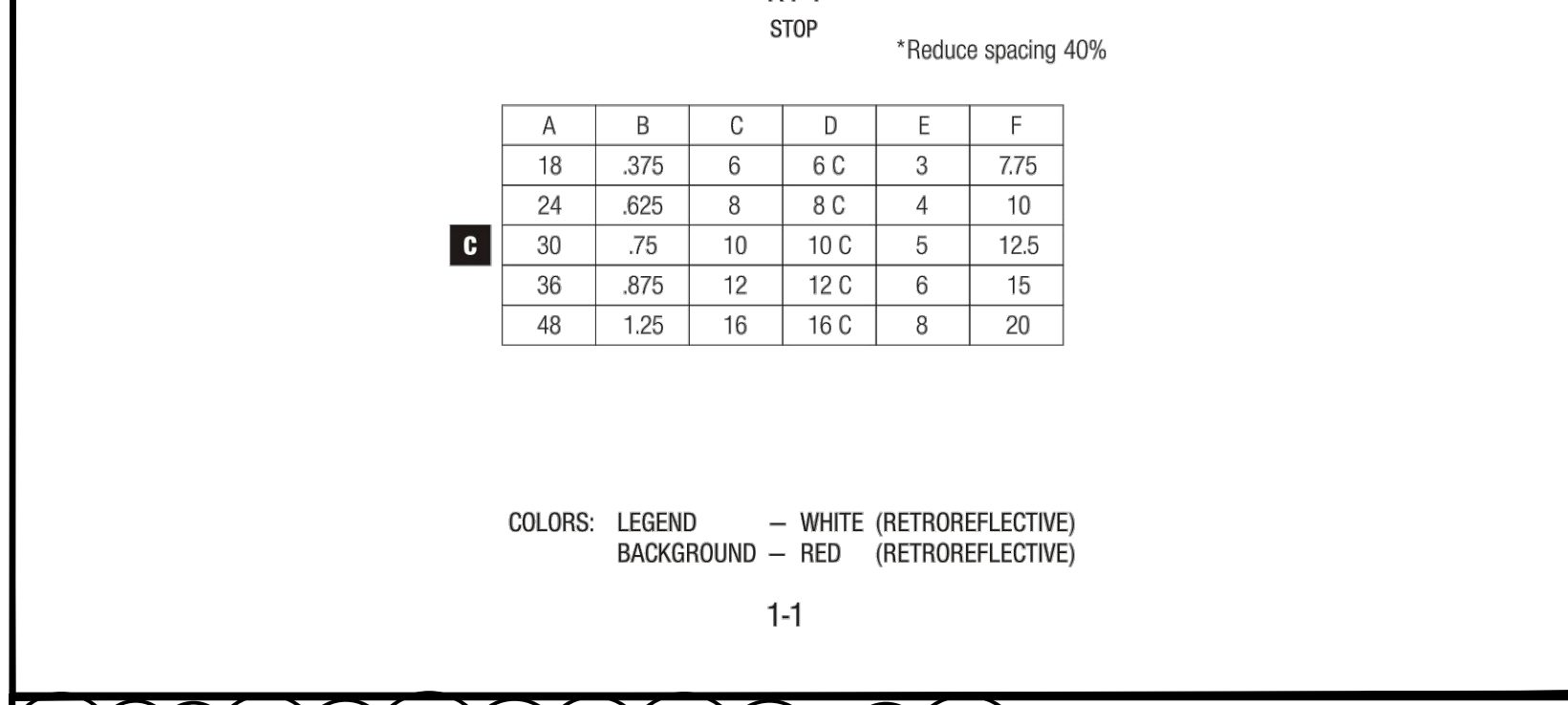
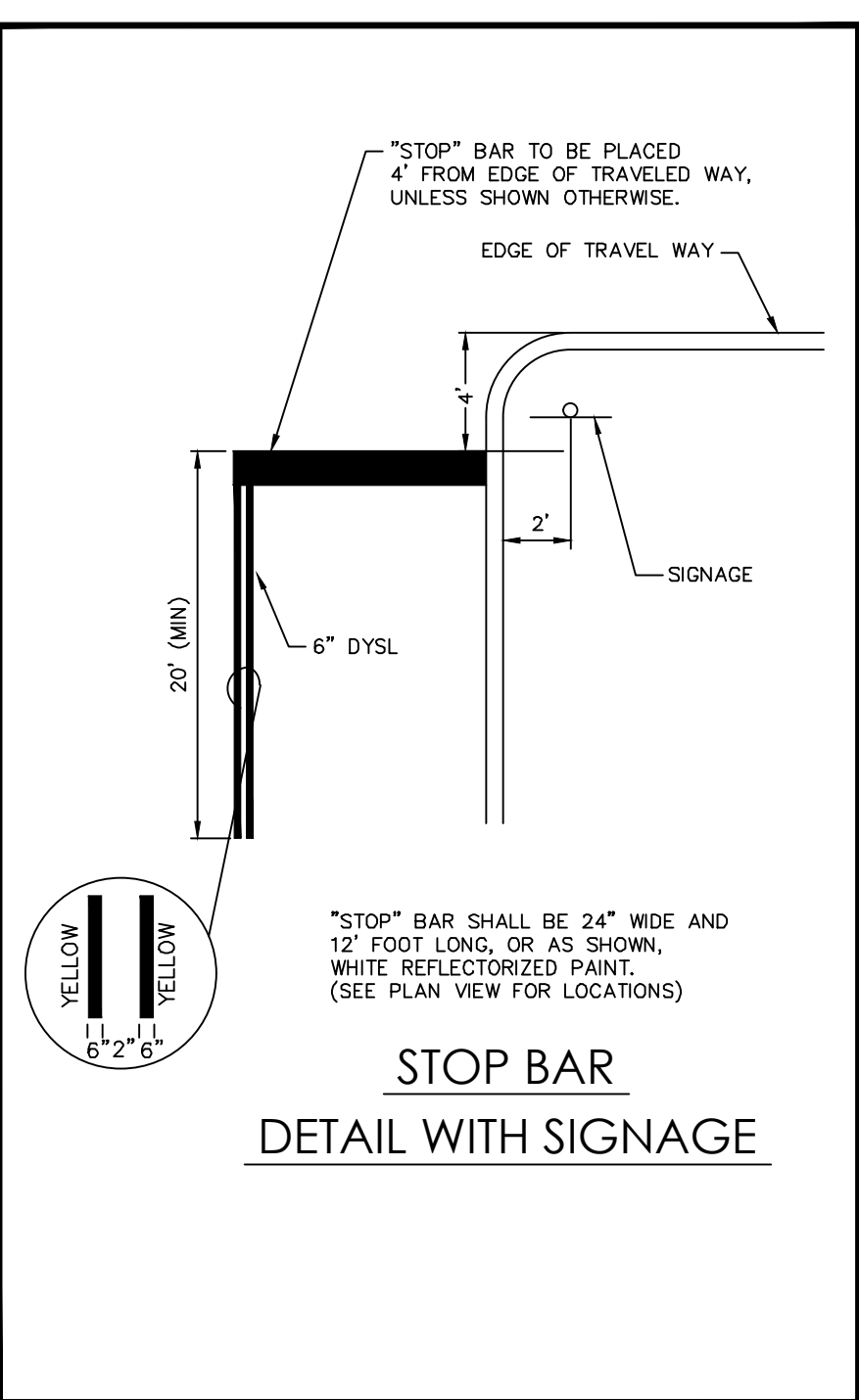
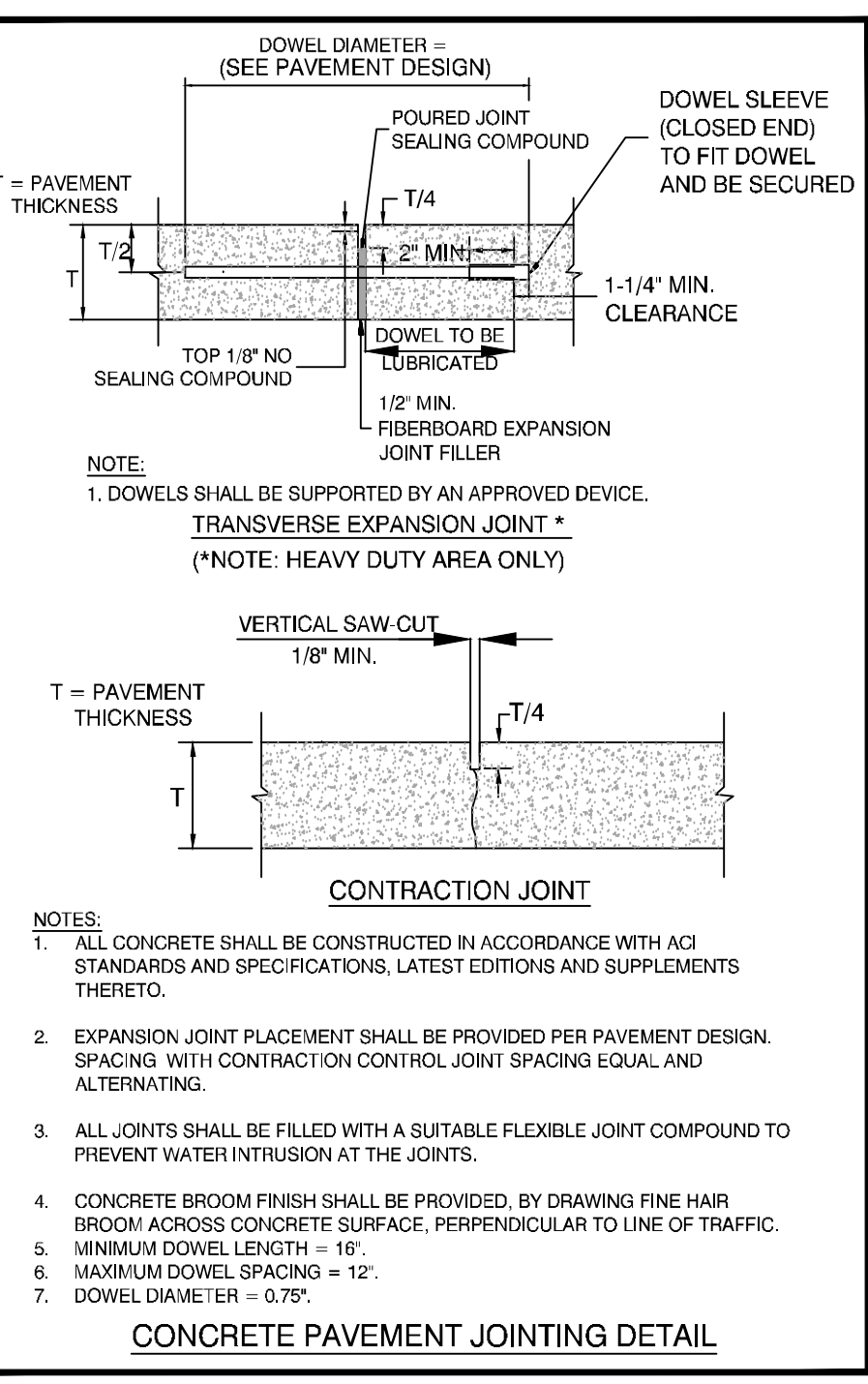
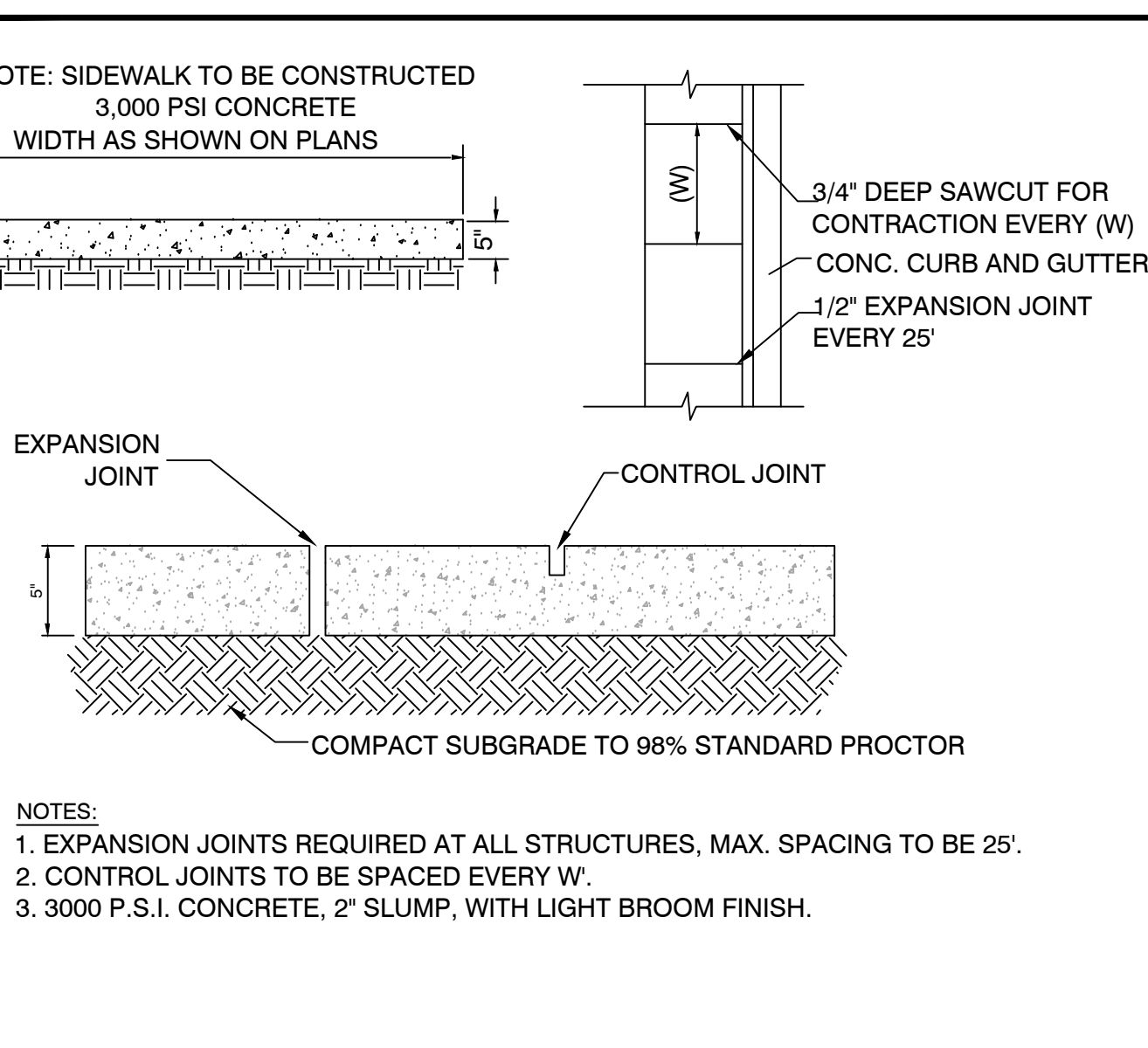
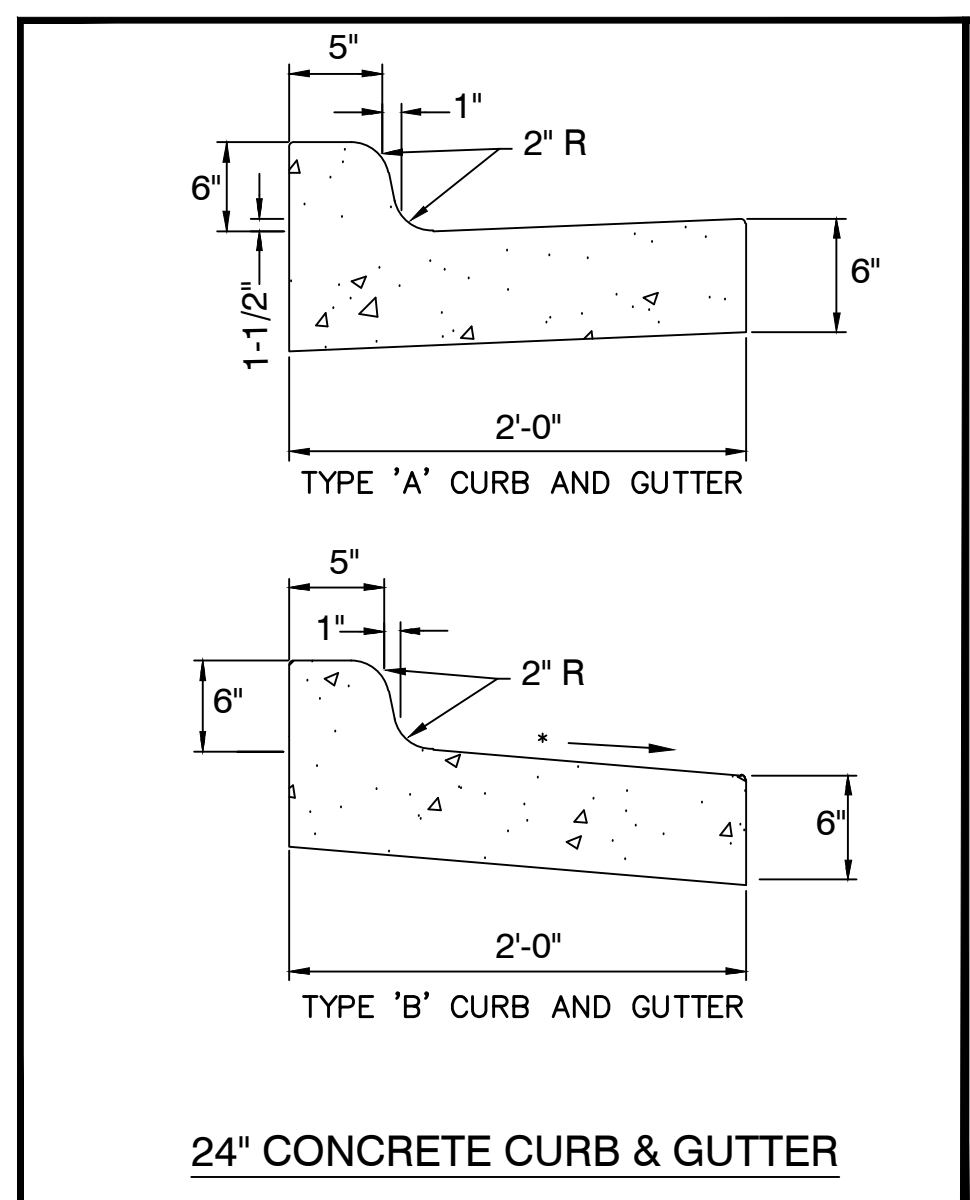


A	B	C	D	E	F
18	.375	6	6 C	3	7.75
24	.625	8	8 C	4	10
30	.75	10	10 C	5	12.5
36	.875	12	12 C	6	15
48	1.25	16	16 C	8	20

COLORS: LEGEND — WHITE (RETROREFLECTIVE)
BACKGROUND — RED (RETROREFLECTIVE)

1-1



DATE	REVISIONS
7/30/24	Update Ex. Conditions & Internal Sidewalks
8/16/24	ADDENDUM #2

HARRIS GRAY, LLC
ENGINEERS - SURVEYORS - PLANNERS
CERTIFICATE OF AUTHORIZATION NO. PE000640
824 THIRD AVENUE - WEST POINT, GEORGIA, 31859
PHONE: (706) 695-1585

**WHITESVILLE ROAD SOCCER COMPLEX
TROUP COUNTY, LAGRANGE GA.
CONSTRUCTION DETAILS**

DATE	10/06/2023
DRAWN BY	HG
CHKD BY	JSH
FILE NAME	DETAILS
JOB NO.	GA230155

SCOTT H. HARRIS
PROFESSIONAL ENGINEER
10/06/2023